

QPA-215000-230000-16-10.5S

215~230GHz, 16dB, 10.5dBm

Features:

- * Small Size
- * Low Power Consumption

Applications:

- * Wireless
- * Transmitter
- * Laboratory Test

Electrical

| | |
|----------------------|------------------------------|
| Frequency: | 215~230GHz |
| Gain: | 16dB typ. |
| Gain Flatness: | ±1.5dB typ. |
| Output Power (Psat): | 10.5dBm typ. |
| Input VSWR: | 2.0 typ. |
| Output VSWR: | 2.5 typ. |
| Voltage: | +7V DC (+5V min., +10V max.) |
| Current: | 174mA typ. |
| Input Power: | 10dBm max. |

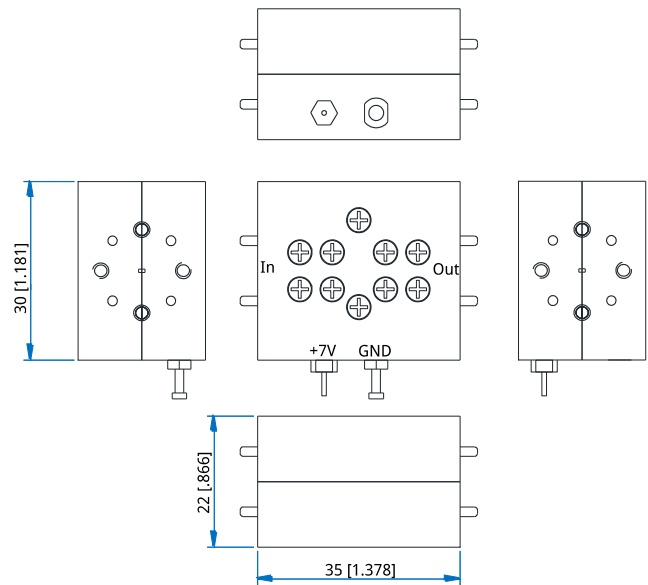
Mechanical

| | |
|--------------------------|-----------------------------------|
| Size ^{*1} : | 73*70*22mm 2.874*2.756*0.866in |
| RF Interface: | WR-4 |
| Power Supply Connectors: | Feed Through/Terminal Post |

[1] Exclude connectors.

Environmental

| | |
|----------------------------|----------|
| Operating Temperature: | 10~+40°C |
| Non-operating Temperature: | 0~+50°C |

Outline Drawings


Unit: mm [in]

Tolerance: ±0.1mm [±0.004in]

How To Order

QPA-215000-230000-16-10.5S

Customization is available upon request.